

Antwoorden voorproefje rekenen Alles telt blok 4

Naam: _____ datum: _____

Opdracht 1: reken uit (hoofdrekenen)

$27\ 250 + 2\ 000 = 29\ 250$

$74\ 000 + 20\ 000 = 94\ 000$

$31\ 465 + 1\ 000 = 32\ 465$

$27\ 000 + 13\ 000 = 40\ 000$

$67\ 800 + 1\ 000 = 68\ 800$

$35\ 000 + 38\ 000 = 73\ 000$

$61\ 234 - 1\ 000 = 60\ 234$

$47\ 000 + 23\ 000 = 70\ 000$

$30\ 670 - 1\ 000 = 29\ 670$

$68\ 000 + 19\ 000 = 87\ 000$

Vul aan tot het volgende **tienduizental**

$48\ 500 + 1\ 500 = 50\ 000$

$36\ 100 + 3\ 900 = 40\ 000$

$65\ 800 + 4\ 200 = 70\ 000$

$81\ 750 + 8\ 250 = 90\ 000$

$77\ 250 + 2\ 750 = 80\ 000$

Opdracht 2: Reken deze sommen uit onder elkaar, op de korte manier.

$549 + 737 = 1\ 286$

$657 + 1\ 309 = 1\ 966$

$2\ 599 + 1\ 098 = 3\ 697$

$777 + 2\ 678 = 3\ 455$

$2\ 403 - 888 = 1\ 515$

$457 - 290 = 167$

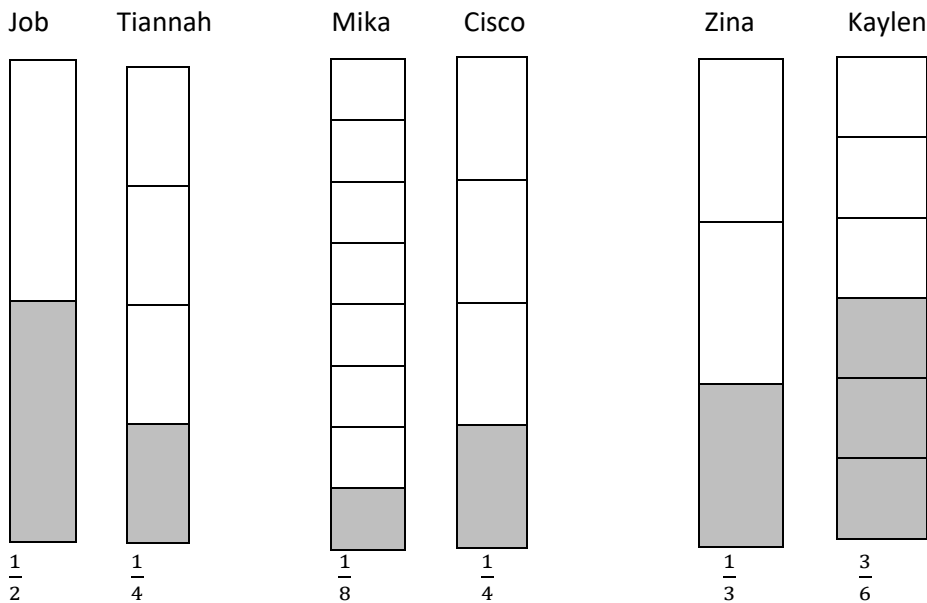
$1\ 456 - 597 = 859$

$3\ 378 - 1\ 284 = 2\ 094$

Opdracht 3: vermenigvuldigen onder elkaar. Maak eerst een schatting en reken vervolgens precies uit!

Een handelaar verpakt 42 dozen met 416 reepjes chocolade. Hoeveel repen zijn dat? Schat eerst $40 \times 420 = 16\ 800$ of $40 \times 400 = 16\ 000$	<table style="margin: auto; border-collapse: collapse;"> <tr><td style="border: 1px solid black; width: 20px; height: 20px;"></td><td style="border: 1px solid black; width: 20px; height: 20px;"></td><td style="border: 1px solid black; width: 20px; height: 20px; text-align: center;">4</td><td style="border: 1px solid black; width: 20px; height: 20px; text-align: center;">1</td><td style="border: 1px solid black; width: 20px; height: 20px; text-align: center;">6</td><td style="border: 1px solid black; width: 20px; height: 20px;"></td><td style="border: 1px solid black; width: 20px; height: 20px;"></td><td style="border: 1px solid black; width: 20px; height: 20px;"></td><td style="border: 1px solid black; width: 20px; height: 20px;"></td><td style="border: 1px solid black; width: 20px; height: 20px;"></td><td style="border: 1px solid black; width: 20px; height: 20px;"></td><td style="border: 1px solid black; width: 20px; height: 20px;"></td><td style="border: 1px solid black; width: 20px; height: 20px;"></td><td style="border: 1px solid black; width: 20px; height: 20px;"></td><td style="border: 1px solid black; width: 20px; height: 20px; text-align: center;">4</td><td style="border: 1px solid black; width: 20px; height: 20px; text-align: center;">9</td></tr> <tr><td style="border: 1px solid black; width: 20px; height: 20px;"></td><td style="border: 1px solid black; width: 20px; height: 20px;"></td><td style="border: 1px solid black; width: 20px; height: 20px;"></td><td style="border: 1px solid black; width: 20px; height: 20px; text-align: center;">4</td><td style="border: 1px solid black; width: 20px; height: 20px; text-align: center;">2</td><td style="border: 1px solid black; width: 20px; height: 20px; text-align: center;">X</td><td style="border: 1px solid black; width: 20px; height: 20px;"></td><td style="border: 1px solid black; width: 20px; height: 20px;"></td><td style="border: 1px solid black; width: 20px; height: 20px;"></td><td style="border: 1px solid black; width: 20px; height: 20px;"></td><td style="border: 1px solid black; width: 20px; height: 20px;"></td><td style="border: 1px solid black; width: 20px; height: 20px;"></td><td style="border: 1px solid black; width: 20px; height: 20px;"></td><td style="border: 1px solid black; width: 20px; height: 20px;"></td><td style="border: 1px solid black; width: 20px; height: 20px; text-align: center;">5</td><td style="border: 1px solid black; width: 20px; height: 20px; text-align: center;">1</td><td style="border: 1px solid black; width: 20px; height: 20px; text-align: center;">X</td></tr> <tr><td style="border: 1px solid black; width: 20px; height: 20px;"></td><td style="border: 1px solid black; width: 20px; height: 20px;"></td><td style="border: 1px solid black; width: 20px; height: 20px; text-align: center;">8</td><td style="border: 1px solid black; width: 20px; height: 20px; text-align: center;">3</td><td style="border: 1px solid black; width: 20px; height: 20px; text-align: center;">2</td><td style="border: 1px solid black; width: 20px; height: 20px;"></td><td style="border: 1px solid black; width: 20px; height: 20px;"></td><td style="border: 1px solid black; width: 20px; height: 20px;"></td><td style="border: 1px solid black; width: 20px; height: 20px;"></td><td style="border: 1px solid black; width: 20px; height: 20px;"></td><td style="border: 1px solid black; width: 20px; height: 20px;"></td><td style="border: 1px solid black; width: 20px; height: 20px;"></td><td style="border: 1px solid black; width: 20px; height: 20px;"></td><td style="border: 1px solid black; width: 20px; height: 20px;"></td><td style="border: 1px solid black; width: 20px; height: 20px; text-align: center;">4</td><td style="border: 1px solid black; width: 20px; height: 20px; text-align: center;">9</td></tr> <tr><td style="border: 1px solid black; width: 20px; height: 20px; text-align: center;">1</td><td style="border: 1px solid black; width: 20px; height: 20px; text-align: center;">6</td><td style="border: 1px solid black; width: 20px; height: 20px; text-align: center;">6</td><td style="border: 1px solid black; width: 20px; height: 20px; text-align: center;">4</td><td style="border: 1px solid black; width: 20px; height: 20px; text-align: center;">0</td><td style="border: 1px solid black; width: 20px; height: 20px; text-align: center;">+</td><td style="border: 1px solid black; width: 20px; height: 20px;"></td><td style="border: 1px solid black; width: 20px; height: 20px;"></td><td style="border: 1px solid black; width: 20px; height: 20px;"></td><td style="border: 1px solid black; width: 20px; height: 20px;"></td><td style="border: 1px solid black; width: 20px; height: 20px;"></td><td style="border: 1px solid black; width: 20px; height: 20px;"></td><td style="border: 1px solid black; width: 20px; height: 20px;"></td><td style="border: 1px solid black; width: 20px; height: 20px;"></td><td style="border: 1px solid black; width: 20px; height: 20px; text-align: center;">2</td><td style="border: 1px solid black; width: 20px; height: 20px; text-align: center;">4</td><td style="border: 1px solid black; width: 20px; height: 20px; text-align: center;">5</td><td style="border: 1px solid black; width: 20px; height: 20px; text-align: center;">0</td><td style="border: 1px solid black; width: 20px; height: 20px; text-align: center;">+</td></tr> <tr><td style="border: 1px solid black; width: 20px; height: 20px; text-align: center;">1</td><td style="border: 1px solid black; width: 20px; height: 20px; text-align: center;">7</td><td style="border: 1px solid black; width: 20px; height: 20px; text-align: center;">4</td><td style="border: 1px solid black; width: 20px; height: 20px; text-align: center;">7</td><td style="border: 1px solid black; width: 20px; height: 20px; text-align: center;">2</td><td style="border: 1px solid black; width: 20px; height: 20px;"></td><td style="border: 1px solid black; width: 20px; height: 20px;"></td><td style="border: 1px solid black; width: 20px; height: 20px;"></td><td style="border: 1px solid black; width: 20px; height: 20px;"></td><td style="border: 1px solid black; width: 20px; height: 20px;"></td><td style="border: 1px solid black; width: 20px; height: 20px;"></td><td style="border: 1px solid black; width: 20px; height: 20px;"></td><td style="border: 1px solid black; width: 20px; height: 20px;"></td><td style="border: 1px solid black; width: 20px; height: 20px;"></td><td style="border: 1px solid black; width: 20px; height: 20px; text-align: center;">2</td><td style="border: 1px solid black; width: 20px; height: 20px; text-align: center;">4</td><td style="border: 1px solid black; width: 20px; height: 20px; text-align: center;">9</td><td style="border: 1px solid black; width: 20px; height: 20px; text-align: center;">9</td><td style="border: 1px solid black; width: 20px; height: 20px;"></td></tr> <tr><td style="border: 1px solid black; width: 20px; height: 20px;"></td><td style="border: 1px solid black; width: 20px; height: 20px;"></td><td style="border: 1px solid black; width: 20px; height: 20px;"></td><td style="border: 1px solid black; width: 20px; height: 20px;"></td><td style="border: 1px solid black; width: 20px; height: 20px;"></td><td style="border: 1px solid black; width: 20px; height: 20px;"></td><td style="border: 1px solid black; width: 20px; height: 20px;"></td><td style="border: 1px solid black; width: 20px; height: 20px;"></td><td style="border: 1px solid black; width: 20px; height: 20px;"></td><td style="border: 1px solid black; width: 20px; height: 20px;"></td><td style="border: 1px solid black; width: 20px; height: 20px;"></td><td style="border: 1px solid black; width: 20px; height: 20px;"></td><td style="border: 1px solid black; width: 20px; height: 20px;"></td><td style="border: 1px solid black; width: 20px; height: 20px;"></td><td style="border: 1px solid black; width: 20px; height: 20px;"></td><td style="border: 1px solid black; width: 20px; height: 20px;"></td><td style="border: 1px solid black; width: 20px; height: 20px;"></td><td style="border: 1px solid black; width: 20px; height: 20px;"></td><td style="border: 1px solid black; width: 20px; height: 20px;"></td></tr> </table>			4	1	6										4	9				4	2	X									5	1	X			8	3	2										4	9	1	6	6	4	0	+									2	4	5	0	+	1	7	4	7	2										2	4	9	9																				
		4	1	6										4	9																																																																																												
			4	2	X									5	1	X																																																																																											
		8	3	2										4	9																																																																																												
1	6	6	4	0	+									2	4	5	0	+																																																																																									
1	7	4	7	2										2	4	9	9																																																																																										
De Irie tours heeft 51 bussen. Elke bus heeft 49 zitplaatsen. Hoeveel zitplaatsen zijn dat samen? Schat eerst: $50 \times 50 = 2\ 500$																																																																																																											

Opdracht 7: Breuken. Welk deel van elke spaarbuis is gevuld? Vul de breuken in onder de buizen.



Maak een optelsom en aftreksom met de twee buizen die naast elkaar staan.

Job en Tiannah: $\frac{1}{2} + \frac{1}{4} = \frac{2}{4} + \frac{1}{4} = \frac{3}{4}$

$\frac{1}{2} - \frac{1}{4} = \frac{2}{4} - \frac{1}{4} = \frac{1}{4}$

Mika en Cisco: $\frac{1}{8} + \frac{1}{4} = \frac{1}{8} + \frac{2}{8} = \frac{3}{8}$

$\frac{1}{4} - \frac{1}{8} = \frac{2}{8} - \frac{1}{8} = \frac{1}{8}$

Zina en Kaylen: $\frac{1}{3} + \frac{3}{6} = \frac{2}{6} + \frac{3}{6} = \frac{5}{6}$

$\frac{3}{6} - \frac{1}{3} = \frac{3}{6} - \frac{2}{6} = \frac{1}{6}$

Opdracht 8: rekenen met procenten.

Hoeveel procent is het?

20 % van € 150 = € 30

50 van de 50 = 100%

75% van €1 000 = € 750

40 van 200 = 20%

3% van € 50 = € 1,50

70 van de 140 = 50%

$12\frac{1}{2}$ % van € 280 = € 35

25 van de 100 = 25%

Opdracht 9 : optelsommen en aftreksommen met kommagetallen.

2,2 m + 3,4 m = 5,6 m

2,5 m - 1,26 m = 1,24 m

3,8 m + 1,16 m = 4,96 m

10,55 m - 4,7 m = 5,85 m

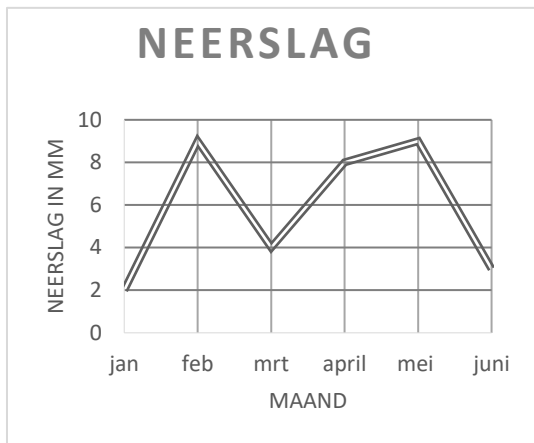
2,58 m + 0,15 m = 2,73 m

9 m - 2,08 m = 6,92 m

4 m + 3,45 m = 7,45 m

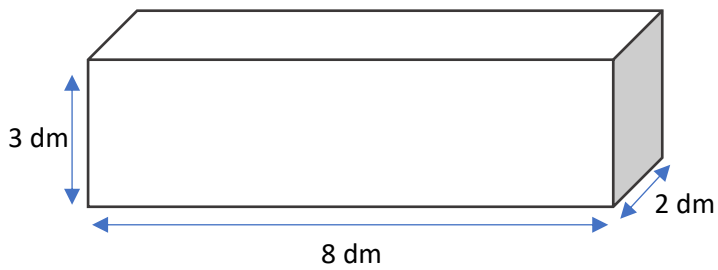
4,33 m - 1,5 m = 2,83 m

Opdracht 10: bekijk deze grafiek en vul de tabel in.



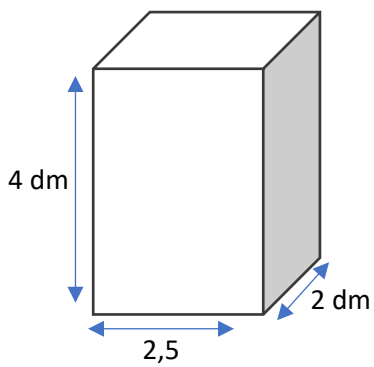
maand	jan	feb	mrt	apr	mei	juni
Neerslag in mm	2	9	4	8	9	3

Opdracht 11: bereken de inhoud in dm³ en liters.

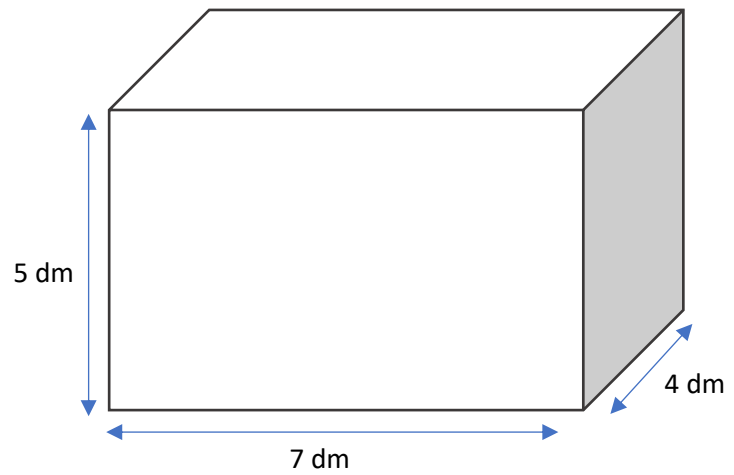


Inhoud: 48 dm³

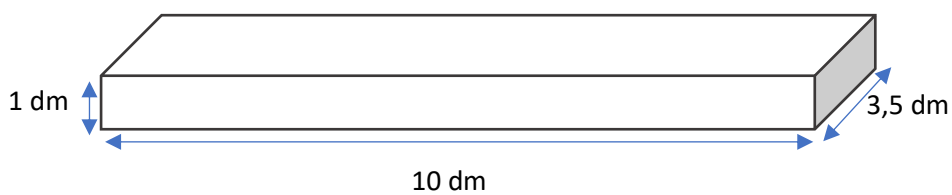
$$\text{Inhoud} = L \times B \times H$$



Inhoud: 20 dm³



Inhoud: 140 liter



Inhoud: 35 liter